



SUA-110V5Bx-x-S236

SHELL :	COLOR :
Blank : Brass	Black: B
I : SPCC	White : W

SPECIFICATIONS

Electrical:

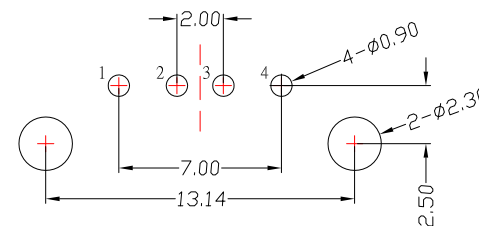
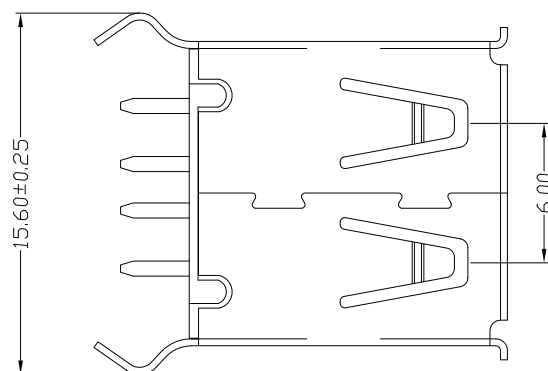
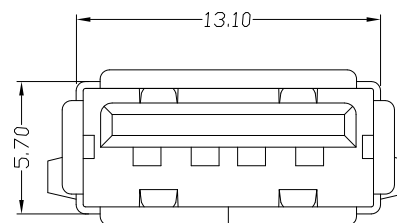
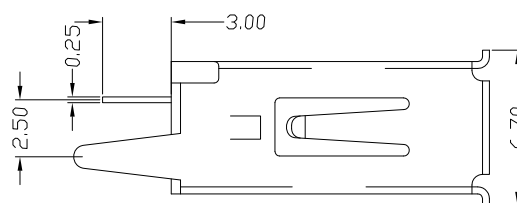
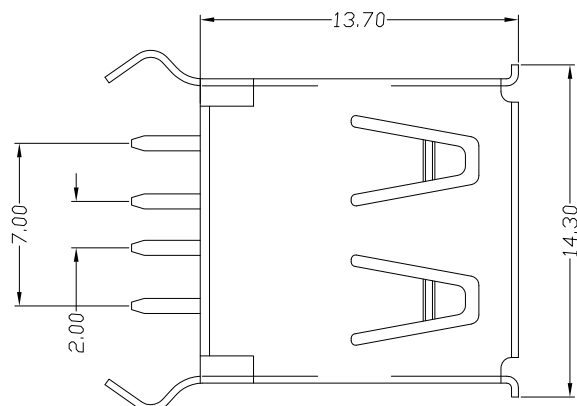
- 1.Contact Resistance: 30 mΩ Max
- 2.Dielectric Withstanding Voltage: 500 V AC
- 3.Insulation Resistance: 1,000 MΩ Min

Material:

- 1.Housing: PBT
- 2.Contact: Phosphor Bronze
- 3.Shell: Brass / Spcc

Finish:

- 1.Contact: Plated Gold in Mating Area ;
Tin Plated on Solder Balls ;
Nickel under plated overall
- 2.Shell: Nickel under Plated surface layer



P.C.B LAYOUT MOUNTING PATTERN



TOLERANCE UNLESS OTHERWISE STATED:
 Up to 5 ±0.2
 Above 5 ~ 15 ±0.3
 Above 15 ~ 30 ±0.4
 Above 30 ~ 50 ±0.5
 Angle ±0.3

3RD. ANGEL'S



UNITS MM

DRAWN BY:	DATE	MATL	TITLE	CONNECTOR
Jack Lu	04/11/19		MODLE	USB A/F 直立式 插板彎腳有捲邊 L:13.7mm 腳距 2.50mm
CHECKED BY:	DATE	SCALE	DWG NO.	SUA-110V5Bx-x-S236
Jacky Chen	04/11/19	1 : 1	PART NO.	SUA-110V5Bx-x-S236
APPROVED BY:	DATE	SHEET NO.		
Tony Kao	04/11/19	1 of 1		

ITEM NO.	DESCRIPTION	DRAWN	DATE